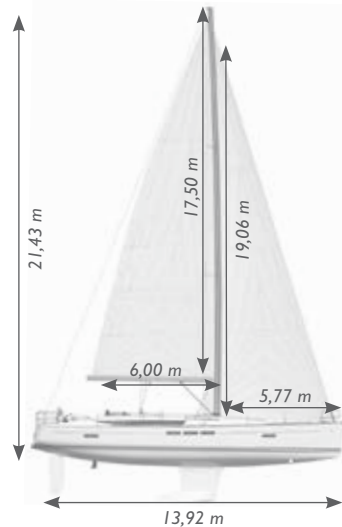
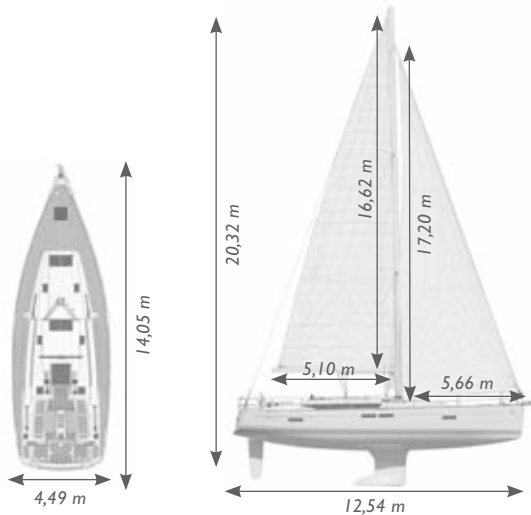


Model year 2015 SUN ODYSSEY

Sun Odyssey 469



Sun Odyssey 509



Certification conform with CE regulation. (* in process)

	SO 469	SO 509
SPECIFICATIONS		
Overall length	14,05 m	15,38 m
Hull length	13,65 m	14,98 m
Waterline length	12,54 m	13,92 m
Beam	4,49 m	4,69 m
Displacement light load with deep draft keel	10809 kg	13900 kg
Standard draft cast iron fin keel	2,24 m	2,28 m
Standard keel weight	3095 kg	4300 kg
Shoal draft cast iron fin keel	1,65 m	1,73 m
Shoal keel weight	3440 kg	4750 kg
CE category	A10 / B11 / C14	A12 / B14 / C16
Fuel	240 L	240 L
Water	615 L	615 L
Fridge compartment	255 L	255 L
Holding tank	80L	80L
Architect / designer	Philippe Briand / Jeanneau Design	Philippe Briand / Jeanneau Design
SAILS		
Standard sails horizontally-cut in high-quality dacron	■ 49,60 m ²	■ 61,00 m ²
Standard headsail 106% horizontally-cut in high-quality dacron	■ 46,50 m ²	■ 53,00 m ²
Performance Headsail 140% in triradial cut mylar/taffeta laminate	□ 60,30 m ²	□ 72,00 m ²
Performance Headsail 106% in triradial cut mylar/taffeta laminate	□ 46,60 m ²	□ 53,00 m ²
Self-tacking jib in triradial cut mylar/taffeta laminate	□ 38,40 m ²	□ 44,00 m ²
Performance Mainsail in triradial cut mylar/taffeta laminate	□ 49,60 m ²	□ 61,00 m ²
Inmast furling horizontally-cut in high-quality dacron	□ 38,00 m ²	□ 49,00 m ²
Code 0 in triradial cut mylar/aramid laminate	□ 84,40 m ²	□ 97,00 m ²
SAIL HANDLING		
Long Harken mainsail traveller with ball-bearing cars and control lines led aft to cockpit	■	■
Genoa tracks on coachroof with cars	■	■
Genoa tracks on coachroof with ball-bearing cars adjustable from the cockpit	*	*
Ballbearing tracks on sidedecks for large overlapping genoa	□	□
Ballbearing track on coachroof for self tacking jib	□	□
Harken winches and spinlock line stoppers	■	■
Harken 46.2 Self-tailing port roof-mounted winch for halyards	■	■
Harken 46.2 Self-tailing starboard roof-mounted winch for halyards	*	■
1 Harken 46.2 Electric winch on the coachroof for halyards and control lines, 12v	PREFERENCE	PREFERENCE
2 Harken self-tailing winches located near helm consoles for genoa and mainsheets	■ ST 50	■ ST 60
2 Harken upgraded self-tailing winches , included in option "rigging for large overlapping genoa"	□ ST 60	□ ST 70
2 Harken Rewind electric winches (compatible with all genoas)	□ ST 60	□ ST 60
2 Winch handles	■	■
MAST AND RIGGING		
Classic mast aluminium with double spreaders	■	■
Furling mast aluminium mast with double spreaders	□	□

* Navigation Pack ■ Standard □ Option - Non disponible

Aluminium boom with rigid vang	■	■
Single backstay	■	■
Backstay with hydraulic adjuster	□	□
Genoa furler with twin groove and furling line led to cockpit	■	■
Below deck genoa furler with furling line led to cockpit	-	□
Running rigging boom topping lift , main halyard, jib halyard, main sheet, jib sheets in polyester	■	■
Running rigging is low-stretch Dyneema	▲	▲
Standing rigging is discontinuous wire 1x19	■	■
Standing rigging is Dyform discontinuous wire	▲	▲
Tack point reinforcement at stem head for attachment of asymmetrical spinnaker or code 0	*	*
Running rigging for asymmetrical spinnaker / code 0 includes: 2 sheets, 1 halyard, 1 downhaul, turning blocks for mast base and sidedecks	□	□
Releasable forestay for staysail (option not compatible with self-tacking jib)	□	□
Windex 15	*	*
Asymmetrical lazy bag with integrated lazy jacks	■	■
Halyard bags	*	*
C O C K P I T		
Large cockpit table with storage compartments, icebox, space for instruments	■	■
Folding teak cockpit table replaces GRP cockpit table with all the same functions	□	□
Wood battens on bench seats, fold-down platform and transom	■	■
Teak battens on cockpit floor	□	□
Cockpit lockers 2 under bench seats, 2 large lockers under helm stations and 1 central locker designed to hold the optional generator	■	■
Gas locker for 2 gas bottles, cut-off valve under stove	■	■
2 Steering stations wheels with a leather wrap, space for flush mounted gps at each helm, stainless steel handrail	■	■
Composite steering wheels black, replaces standard wheels	□	□
Emergency tiller fitting in cockpit floor	■	■
Engine control throttle lever and engine panel located at starboard helm	■	■
360 docking with joystick mounted at cockpit table	□ POD 90	□ POD 120
Large aft fold-down swim platform with telescopic ladder	■	■
Linear drive unit for aft platform motorises raising and lowering platform	PREFERENCE	PREFERENCE
Hinged companionway doors in plexiglas	■	■
Sliding horizontal hatch in plexiglas	■	■
Wide sprayhood in Sunbrella®	□	□
Large 4 bow cockpit bimini with viewing ports above each helm that can be folded back and out of the way when not in use	□	□
Cockpit cushions Sunbrella® Sling Taupe with backrests and attachment clips	□	□
D E C K H A R D W A R E		
Open bow pulpit in stainless steel	■	■
Stern pulpits in stainless steel with bracket for buoy	■	■
Stemhead fitting in stainless steel with double anchor rollers	■	■
Lifelines 2 levels of stainless steel wire, lifeline gates	■	■
Toerail	■	■
Mooring cleats x6 in aluminium	■	■
Handrails on coachroof in solid wood	■	■
Anchor locker	■	■
Anchor windlass 12v with chainwheel	■ 1000W - 10mm	■ 1500W - 12mm
Second windlass control mounted cockpit table with chain counter	□	□
Teak sidedecks	□	□
Wooden rubrail located just below deck edge	□	□
Mooring kit 4 braided dock lines 6 fenders	□	□
Anchoring kit 20kg DELTA anchor with 32m of 10mm chain and 45m of line	□	-
Anchoring kit 25kg DELTA anchor with 40m of 12mm chain and 50m of line	-	□
Electric seawater washdown pump 12V in anchor locker with hose and nozzle	-	□
Hydraulically operated gangway on transom	-	□
Long lateral coachroof windows drape-formed	■	■
Large, fixed hull ports	8	10
Opening ports	4 (+2 opt.)	4 (+2 opt.)
Opening hatches	11	11
Curtain set for windows ports and hatches insect screens for hatches	PREMIERE	PREMIERE
SAIL LOCKER FORWARD		
Access via lockable deck hatch	■	■
Access ladder in stainless steel	■	■
T E C H N I C A L F E A T U R E S A N D O P T I O N S		
C O N S T R U C T I O N		
Hull : monolithic GRP hull hand-laid into a 2-part opening mould. ISO gelcoats. Barrier coat used to guard against osmosis	■	■
3rd Generation counter-moulded structure glued and laminated to hull for strength. High-load zones cut-out for access to the hull	■	■
Injected deck via Prisma Process®. This process yields a very high-end part that is finished on both sides and reduces the weight by 30% with minimum impact on the environment	■	■
L I G H T I N G		
LED navigation lights	PREMIERE	PREMIERE
LED and halogen interior lighting	■	■
LED indirect lighting (not available for every version)	□	□
E L E C T R I C A L		
Main electric panel at navigation station backlit in a soft blue light, 12V plug, lcd display	■	■
12V circuit for house and engine systems. 12V plugs and 220V plugs in each cabin, saloon, chart table and galley	■	■
12V for house bank	3 x 115 A/H 12V	3 x 115 A/H 12V
12V for engine bank	1 x 110 A/H 12V	1 x 110 A/H 12V
Additional house bank batteries 2 X 115 A/H	PREMIERE	PREMIERE
Engine alternator: 125A	■	■

	SO 469	SO 509
Battery switches: in the aft cabin	■	■
2 x 40 amp battery chargers for 12V battery banks to ensure rapid recharging at the dock or when using the generator	PREMIERE	PREMIERE
2000W inverter	□	□
Generator ONAN 6KW 220V 2400RPM its sound shield and located in a sound-shielded compartment in the transom, access via water-tight hatch	□	□
Solar pannels on coachroof 2 x Solara 68V	□	□
PLUMBING		
FRESH WATER		
Fresh water system with high-pressure 12v pump (1 9l/min) inline filter and accumulator tank	■	■
2 Roto moulded water tanks 385l tank under the forward berth and 230l tank under aft cabin berth	■	■
Tank manifold with selector valves	■	■
Tank gauges located at the electrical panel	■	■
40 L hot water heater connected to engine heat exchanger and 220v electrical system	■	■
Hot and cold water shower at the transom	■	■
Dock water inlet with pressure regulator. Allows the use of onboard systems without using water in the tanks when at the dock	PREFERENCE	PREFERENCE
Dessalator water maker located under port side settee in saloon, operates on 12V and 220V for maximum efficiency, capacity 60 L per hour	-	□
RAW AND WASTE WATER		
Shower pumps with macerator function, activation of shower pumps via switch	■	■
Large manual pump marine toilets	■	■
Electric Quiet-Flush toilets in place of standard, available for each head compartment	□	□
80 litre holding tank with gravity drain and deck fitting for forward starboard head (port aft head equipped with standard 85L tank)	□	□
BILGE DRAINAGE		
Electric bilge pump located in bilge area with activation via switch at electrical panel	■	■
Electric bilge pump located in the forward sail locker, with activation via float switch, with separate hose from primary bilge pump	■	■
Dual-action manual bilge pump located in the cockpit, with separate hose from primary bilge pump	■	■
ENGINE AND STEERING		
Yanmar 4JH5-CE Sail Drive 4-cylinder Turbocharger - 54 HP / 39 KW - Engine alternator: 125A	■	-
Yanmar 4JH4-TCE Sail Drive 4-cylinder Turbocharger - 75 HP / 55 KW - Engine alternator: 125A	-	■
Engine panel and throttle located near starboard helm	■	■
Insulation foam 40mm with film, exhaust system roto moulded exhaust mixer with stainless steel exhaust fitting on hull	■	■
GRP engine bed and liner, roto moulded exhaust mixer with stainless steel fitting on hull	■	■
Compatible 360 docking	□ POD 90	□ POD 120
3-Blade fixed propeller	■	■
3-Blade folding propeller	▲	▲
Ventilation system extractor fan located in engine room	■	■
Roto moulded fuel tank (240 l) located under aft cabin berth	■	■
Access behind steps to engine compartment	■	■
Extra diesel storage tank 240 L in lieu of one water tank	□	□
Bow thruster 24V 11.5HP with separate 24V OPTIMA REDTOP battery bank	□	□
NAVIGATION		
Electronic pack with 1 transducer for speed and depth in the hull, 1 wind sensor at masthead and 1 Raymarine i70 display on the cockpit table	□	□
Raymarine E95 9" chart plotter display flush-mounted at starboard helm, with mapping (one per helm)	□	□
4Kw raymarine digital radome and mast mount	□	□
Raymarine spx autopilot control computer with integrated gyro compass and hydraulic autopilot arm connected directly to steering quadrant	□	□
VHF RAY55e with ais transponder at the chart table	□	□

	SO 469			SO 509			
	3C/2H	3C/3H	4C/4H	3C/2H	4C/2H	4C/3H	5C/3H
COMFORT FEATURES AND OPTIONS							
FUSION DVD/CD/MP3 player with AUX input, 2 Bose® surround sound speakers in the saloon, 1 Bose® base unit and 2 waterproof exterior speakers	PREMIERE	PREMIERE	PREMIERE	PREMIERE	PREMIERE	PREMIERE	PREMIERE
Tv antenna for mast mounting	□	□	□	□	□	□	□
23" LED TV mounted at nav station, pivots to be visible from settee and latches when underway, connected to dvd player and Bose® 2.1 Surround-sound system	□	□	□	□	□	□	□
LED TV in forward cabin 23" with a dvd/cd/mp3 player and 2 stereo speakers	□	□	-	□	□	-	-
Cruisair® air conditioning runs via shorepower or generator with 3 units	32000 BTU	32000 BTU	32000 BTU	44000 BTU	44000 BTU	44000 BTU	44000 BTU
Diesel forced air heating	□	-	-	-	-	-	-
Eberspacher® circulating water heating system 12,000W with outlets in all cabins and toilets	-	□	□	□	□	□	□
INTERIOR FEATURES AND OPTIONS							
WOOD							
Alpi Fine Teak® interior with marine ply core, solid trim, anti-uv varnish	■	■	■	■	■	■	■
Ceiling panels and hull liner wood panels with vinyl lining	■	■	■	■	■	■	■
Light oak laminate floorboards	■	■	■	■	■	■	■
Laminate floorboards with light-coloured stripes and varnished edges	□	□	□	□	□	□	□
Dark oak laminate floorboards	□	□	□	□	□	□	□
FORWARD CABIN							
Double berth with high-density foam mattress	■	■	■	■	■	■	■
Mattress battens for owner's cabin berth	□	□	-	□	□	-	-
Extra wide cabin door for easy access (56cm)	■	■	-	■	■	-	-
Large hanging locker to starboard	■	■	■	■	■	■	■
Additional hanging locker to port	■	■	-	■	■	-	-
An office/vanity area with leatherette desktop, mirror and storage area with light	■	■	-	■	■	-	-
Pneumatically-assisted opening storage cabinets under side deck	■	■	-	■	■	■	■
Storage cabinets under side deck	-	-	■	-	-	-	-
LED reading lights and overhead led lighting	■	■	■	■	■	■	■
Indirect led lighting (option) under upper storage cabinets	□	□	-	□	□	-	-
Full-length mirror	■	■	-	■	■	-	-
Handrail with leather wrap	■	■	-	■	■	-	-

■ Standard □ Option - Not available

	SO 469			SO 509			
	3C/2H	3C/3H	4C/4H	3C/2H	4C/2H	4C/3H	5C/3H
Opening deck hatches, for light and ventilation	3	3	1	3	3	1	1
Large fixed hull port(s)	2	2	1	2	2	1	1
2 Large storage drawers under berth + storage under berth with top access	■	■	-	■	■	-	-
Storage for removable bulkheads under berth	-	-	■	-	-	■	■
Night tables with leatherette lining	-	-	-	■	■	-	-
Washrooms: solid surface countertop and moulded sink, storage cabinets, deck hatch to provide light and ventilation, LED overhead lighting and task lighting, standing shower separated by A plexiglas door (option), shower drain with switch, marine toilet with manual pump, clothes hook and towel bar, mirror	■	■	■	■	■	■	■
Plexiglas shower dividers (owner's head)	PREMIERE	PREMIERE	-	PREMIERE	PREMIERE	-	-
AFT CABIN							
Double berth with high-density foam mattress	■	■	■	■	■	■	■
Hanging locker storage shelf along hull, night stand above engine compartment, storage shelf along engine compartment	■	■	■	■	■	■	■
Led overhead lighting and reading light	■	■	■	■	■	■	■
Indirect led lighting (option) along the bed	□	□	□	-	-	-	-
1 fixed hull port, 1 opening port into the cockpit for ventilation, 1 window in coachroof	■	■	■	■	■	■	■
2 additional opening port into the cockpit	PREMIERE	PREMIERE	PREMIERE	PREMIERE	PREMIERE	PREMIERE	PREMIERE
1 opening hatch	■	■	■	■	■	■	■
Access to tanks and technical equipment in central corridor	■	■	■	■	■	■	■
Washrooms: en-suite compartment with acces from cabin: en-suite compartments with day access from saloon, solid surface countertop with moulded sink, access to through-hulls and plumbing connections under sink, storage cabinets, opening port and fixed windows to provide light and ventilation, LED overhead lighting and task lighting, shower drain with switch, marine toilet with manual pump, clothes hook and towel bar, hanging bar, mirror	■	■	■	■	■	■	■
Separate shower compartment with plexiglas door	PREMIERE	-	-	PREMIERE	PREMIERE	-	-
LATERAL STARBOARD GUEST CABIN							
Two single, upper and lower bunks facing opposite directions	-	-	-	-	■	-	■
Opening port and fixed window for light and ventilation	-	-	-	-	■	-	■
NAVIGATION STATION							
Navigation station located to port behind the saloon	-	■	■	■	■	■	■
Convertible navigation station located to starboard	■	-	-	-	-	-	-
Chart table with leatherette worktop with opening compartment, space designed for laptop computer	■	■	■	■	■	■	■
Large storage space under electrical panel for books and other navigation equipment	■	■	■	■	■	■	■
Bookshelf under table with plexiglas dividers	-	-	-	■	■	■	■
Chart reading light with red night-time vision mode	-	■	■	■	■	■	■
SALOON							
Comfortable seating arrangement to port for 6 with view of sea through hull ports	■	■	■	■	■	■	■
Hinged storage compartments under settee seating	■	■	■	■	■	■	■
Large table with two removable, aluminium legs and central bottle storage	■	■	■	■	■	■	■
Folding de luxe table in main saloon with bar and storage drawers in the fixed base (this table is not convertible into a berth)	□	□	□	□	□	□	□
Central two-seats bench with storage	-	□	□	-	-	■	■
2 Armchairs in the saloon with lock down mechanism when underway	□	□	□	□	□	-	-
2 Lounge seats to starboard, backrest inserts in multiple colours, view of sea through hull ports	■	-	-	■	■	-	-
Pullout bar cabinet with leatherette-lined table with bottle, glass storage and snack storage	-	-	-	■	■	-	-
Upper storage cabinets with doors and fiddles	■	■	■	■	■	■	■
Convertible berth in saloon with infill cushion for saloon table	□	□	□	□	□	□	□
GALLEY							
Large, t-shaped galley to starboard of entryway allows 2 people to cook comfortably	-	-	-	■	-	-	-
Large, L-shaped galley to starboard of entryway	■	-	-	-	-	-	-
Long galley to starboard of entryway	-	■	■	-	■	■	■
Solid counter tops	■	■	■	-	■	■	■
Double stainless steel sinks with covers and chrome mixer tap	■	■	■	■	■	■	■
Storage compartments with drawers and doors between the galley and the companionway	-	-	-	-	■	■	■
Large utensil drawer forward with storage below and room for optional equipment	-	-	-	■	-	-	-
Soft-close, fully-extending drawers	■	■	■	■	■	■	■
Sliding waste bins with multiple compartments for selective sorting and recycling	■	■	■	■	■	■	■
Upper storage cabinets with storage and space for optional microwave	■	■	■	■	■	■	■
2 Burner stove and oven	■	■	■	■	■	■	■
175L fridge with top access, 12v compressor	■	■	■	■	■	■	■
12v 80L freezer unit for smaller fridge box	PREMIERE	PREMIERE	PREMIERE	PREMIERE	PREMIERE	PREMIERE	PREMIERE
Vertical fridge door	PREFERENCE	PREFERENCE	PREFERENCE	PREFERENCE	PREFERENCE	PREFERENCE	PREFERENCE
Opening port above stovetop for ventilation	■	■	■	■	■	■	■
• 3 burner cooker and oven with grill function (replaces standard 2 burner cooker)	PREMIERE	PREMIERE	PREMIERE	PREMIERE	PREMIERE	PREMIERE	PREMIERE
• Microwave installed in galley	□	□	□	□	□	□	□
• Washer and dryer unit 220V located bottom of hanging locker, capacity 5kg	□	□	-	□	□	-	-
• Dishwashing machine 220V located in cabinet forward of galley (not compatible with additional fridge or wine cooler options)	-	-	-	□	-	-	-
• Wine cooler located in cabinet forward of galley (not compatible with additional fridge or dishwasher options)	-	-	-	□	-	-	-
• Additional fridge located in cabinet forward of galley (not compatible with wine cooler or dishwasher options)	-	-	-	□	-	-	-
HEADROOM							
Forward cabin	1,93 m			1,86 m			
Aft cabin(s)	1,97 m			1,97 m			
Companionway	1,97 m			1,98 m			
Saloon	1,94 m / 1,97 m			1,95 / 1,98 m			
Galley	1,93 m			1,94 m			



JEANNEAU

■ Standard □ Option - Not available C = Cabins H = Head

